

■ Specifications

- Voltage Rating: 250V AC/DC
- Current Rating: 3A AC/DC
- Withstanding Voltage: 1500V AC/minute
- Insulation Resistance: 1000MΩ Min.
- Temperature Range: -25°C~+85°C
- Contact Resistance: Intial value/20mΩ Max.
- After Enviornmental Testing/20mΩ Max.

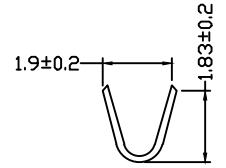
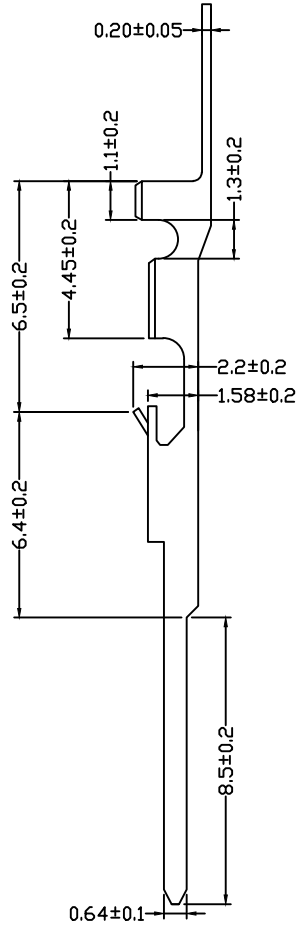
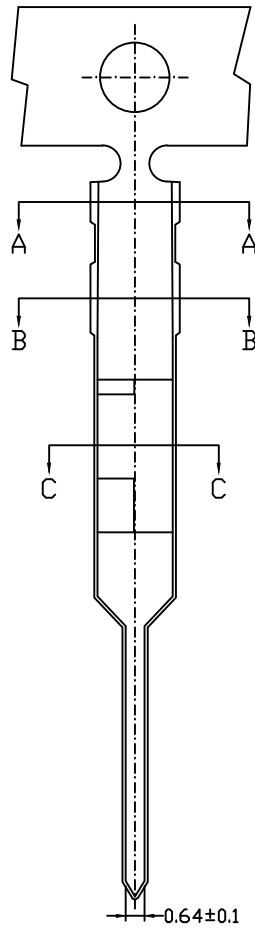
■ Housing

- Part No.: M2546H
- Material: P.B.T. UL 94V-0+15% glass fiber
- Suitable HLB M2546T Series Terminal
- Mates With HLB M2546W Series Wafer
- Q'ty: 1, 000 Pcs/Bag

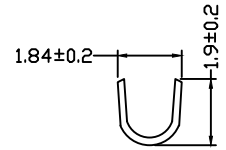
Poles	Part No	Dimensions (mm)		
		A	B	C
2	M2546H-02	2.54	5.08	--
3	M2546H-03	5.08	7.62	2.54
4	M2546H-04	7.62	10.16	5.08
5	M2546H-05	10.16	12.70	7.62
6	M2546H-06	12.70	15.24	10.16
7	M2546H-07	15.24	17.78	12.70
8	M2546H-08	17.78	20.32	15.24
9	M2546H-09	20.32	22.86	17.78
10	M2546H-10	22.86	25.40	20.32
11	M2546H-11	25.40	27.94	22.86
12	M2546H-12	27.94	30.48	25.40
13	M2546H-13	30.48	33.02	27.94
14	M2546H-14	33.02	35.56	30.48
15	M2546H-15	35.56	38.10	33.02

							GENERAL TOLERANCE	东莞市翰皓精密电子有限公司 Dongguan HanHao Precision Electronics Co.,Ltd				PART NO. M2546H-XX			
							.X ±0.30	APPROVAL				TITLE 2.54 mm Crimp Style Connectors			
							.XX ±0.20	CHECK				UNIT			
							.XXX ±0.10	DRAWN				SCALE			
							PROJECT				NUMBER				
2010/06/22	A	B	/	Modify frame format	Jova	Jova Lau	DATA				REV				
DATE	OLD REV	NEW REV	ECN	DESCRIPTION	CHECK	APPROVAL	Smak	Yu wei	Liu Yan	2010/06/22	mm	1:	8	B	

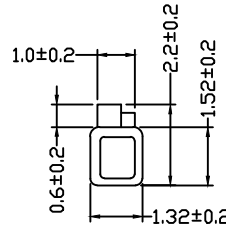
环保物料



SECTION A-A



SECTION B-B



SECTION C-C

■ SPECIFICATIONS

- Voltage Rating: 250V AC, DC
- Current Rating: 3A, AC/DC
- Withstanding Voltage: 1500V AC/minute
- Insulation Resistance: 1000MΩmin
- Temperature Range: -25°C~+85°C
- Contact resistance: Intial value/20mΩmax
- After enviornment testing/20mΩmax

■ TERMINAL

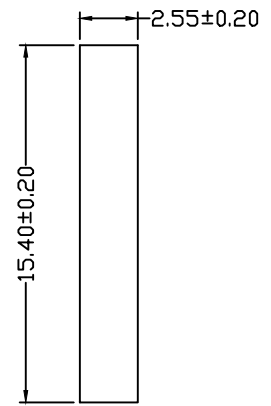
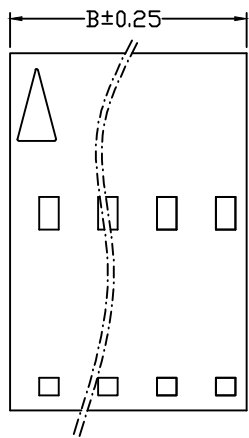
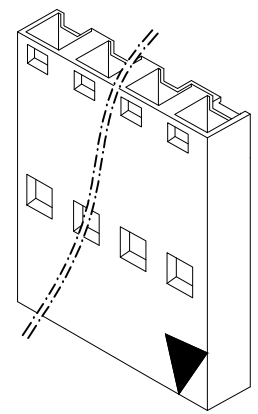
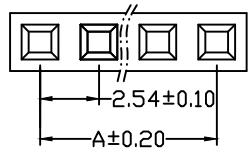
- Part No.: M2546FT/TG
- Applicable Wire: AWG#22-30
- Material: Phosphor Bronze
- Finish: Tin-plated
- Used in HHB M2546MH series Housing
- Q'ty: 15000 pcs/reel

				一般公差 GENERAL TOLERANCE		东莞市翰皓精密电子有限公司 Dongguan HanHao Precision Electronics Co.,Ltd			料号 PART NO M2546FT/TG				
				. X ±0.3 . XX ±0.2 . XXX ±0.1		核准 APPD 审核 CHK 绘图 DR 日期 DATA			品名 TITLE 2.54 mm Crimp Style connectors				
2011/05/14	A	B	修改图框格式			1	SUCCESS		2007/05/03	单位 UNIT MM	比例 SCALE 4/1	图号 NUMBER A-093	版次 REV B
日期 DATE	旧版次 OLD REV	新版次 NEW REV	变更内容 DESCRIPTION	审核 CHK	核准 APPD	角法 PROJECT							

1 2 3 4 5 6 7 8

F
E
D
C
B
A

F
E
D
C
B
A



Specifications

- Voltage rating: 250V AC/DC
- Current rating: 3A AC/DC
- Withstanding Voltage: 1500V AC/Minute.
- Insulation resistance: 1000MΩ Min.
- Temperature range: -25°C~+85°C
- Contact resistance: Intial value/20mΩ Max.
- After enviornment testing/20mΩ Max.

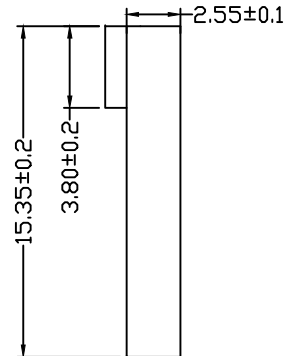
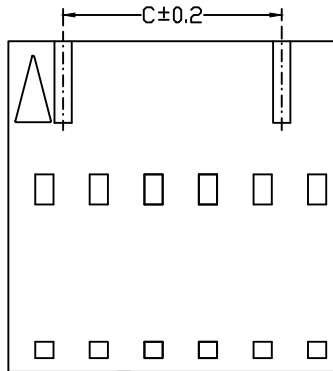
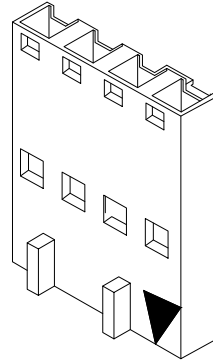
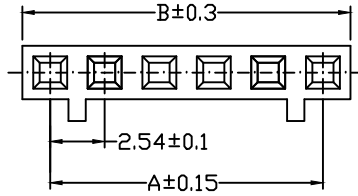
Housing

- Part No.: M2546HA
- Material: PBT+15%GF UL 94V-0
- Suitable HLB M2546T series Terminal
- Mates with HLB M2547W series Wafer
- Q'ty: 1,000pcs/bag

Poles	Part No	Dimensions (mm)	
		A	B
2	M2546HA-02	2.54	5.15
3	M2546HA-03	5.08	7.69
4	M2546HA-04	7.62	10.23
5	M2546HA-05	10.16	12.77
6	M2546HA-06	12.70	15.31
7	M2546HA-07	15.24	17.85
8	M2546HA-08	17.78	20.39
9	M2546HA-09	20.32	22.93
10	M2546HA-10	22.86	25.47
11	M2546HA-11	25.40	28.01
12	M2546HA-12	27.94	30.55
13	M2546HA-13	30.48	33.09
14	M2546HA-14	33.02	35.63
15	M2546HA-15	35.56	38.18

				GENERAL TOLERANCE			东莞市翰皓精密电子有限公司				PART NO. M2546HA-XX			
				.X ±0.30			Dongguan HanHao Precision Electronics Co.,Ltd				TITLE 2.54 mm Crimp Style Connectors			
2010/06/22				A B			APPROVAL				DATA			
DATE				OLD REV			Smak				2010/06/22			
NEW REV				ECN			Yu wei				Liu Yan			
DESCRIPTION				CHECK			Liu Yan				2010/06/22			
APPROVAL				PROJECT			1:				8			
Jova				Jova Lau			B							

1 2 3 4 5 6 7 8



■ SPECIFICATIONS

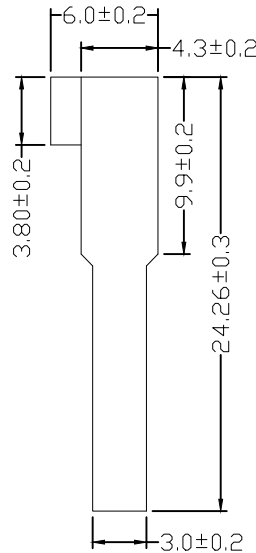
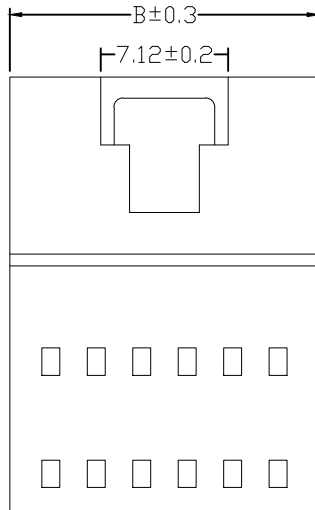
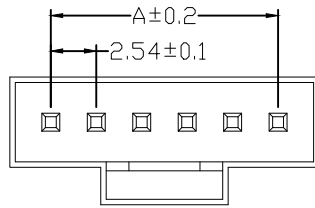
- Voltage rating: 250V AC, DC
- Current rating: 3A, AC, DC
- Withstanding Voltage: 1500V AC/minute
- Insulation resistance: 1000MΩ min
- Temperature range: -25°C~+85°C
- Contact resistance: Initial value/20mΩ max
- After environmental testing/20mΩ max

■ HOUSING

- Part No.: M2546HC
- Material: PBT UL 94V-0+15% glass fiber
- Suitable HLB M2546T series Terminal
- Mates with HLB M2546W series Wafer
- Q'ty: 1000pcs/bag

Poles	Part No	Dimensions (mm)		
		A	B	C
2	M2546HC-02	2.54	5.08	--
3	M2546HC-03	5.08	7.62	2.54
4	M2546HC-04	7.62	10.16	5.08
5	M2546HC-05	10.16	12.70	7.62
6	M2546HC-06	12.70	15.24	10.16
7	M2546HC-07	15.24	17.78	12.70
8	M2546HC-08	17.78	20.32	15.24
9	M2546HC-09	20.32	22.86	17.78
10	M2546HC-10	22.86	25.40	20.32
11	M2546HC-11	25.40	27.94	22.86
12	M2546HC-12	27.94	30.48	25.40
13	M2546HC-13	30.48	33.02	27.94
14	M2546HC-14	33.02	35.56	30.48
15	M2546HC-15	35.56	38.10	33.02

							GENERAL TOLERANCE	东莞市翰皓精密电子有限公司 Dongguan HanHao Precision Electronics Co.,Ltd				PART NO. M2546HC-XX			
							.X ±0.30	APPROVAL				TITLE 2.54 mm Crimp Style Connectors			
							.XX ±0.20	Smark				Yu wei			
							.XXX ±0.10	DRAWN				Liu Yan			
							PROJECT	2010/06/22				DATA			
DATE	OLD REV	NEW REV	ECN	DESCRIPTION	CHECK	APPROVAL	2010/06/22				UNIT	SCALE	NUMBER	REV	
2010/06/22	A	B		Modify frame format	Jova	Jova Lau	2010/06/22				mm	1:	8	B	



Specifications

- Voltage rating: 250V AC, DC
- Current rating: 3A, AC, DC
- Withstanding Voltage: 1500V AC/minute
- Insulation resistance: 1000MΩ min
- Temperature range: -25°C~+85°C
- Contact resistance: Initial value/20mΩ max
- After environmental testing/20mΩ max

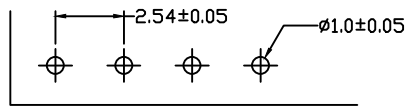
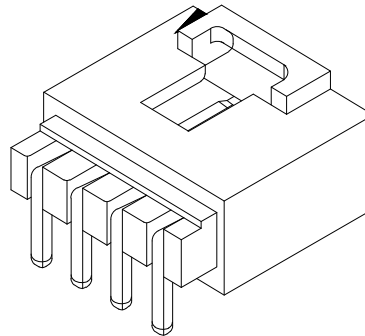
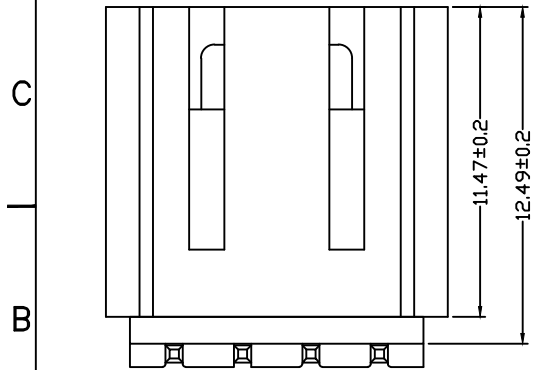
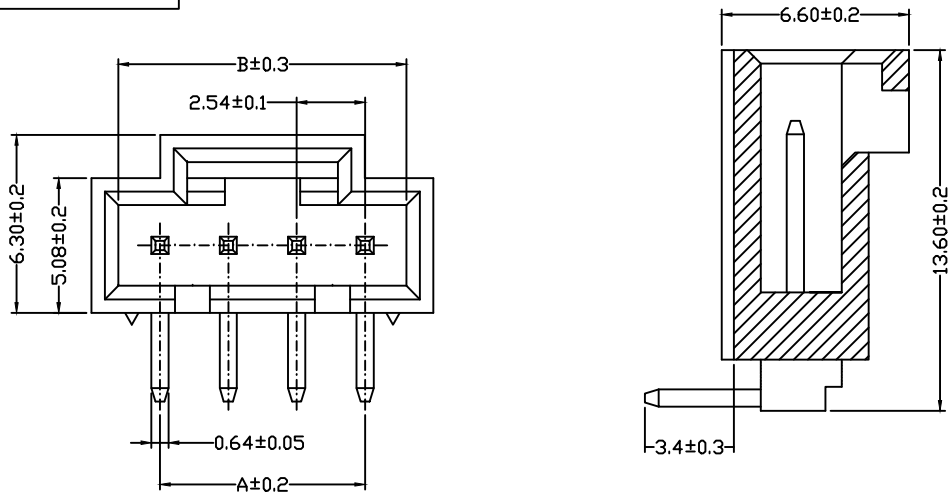
Housing

- Part No.: M2546MH
- Material: PBT UL 94V-0+30% glass fiber
- Suitable HLB M2546T series terminal
- Q`ty: 1000pcs/bag

Poles	Part No	Dimensions (mm)	
		A	B
2	M2546MH-02	2.54	7.12
3	M2546MH-03	5.08	9.66
4	M2546MH-04	7.62	12.20
5	M2546MH-05	10.16	14.74
6	M2546MH-06	12.70	17.28
7	M2546MH-07	15.24	19.82
8	M2546MH-08	17.78	22.36
9	M2546MH-09	20.32	24.90
10	M2546MH-10	22.86	27.44
11	M2546MH-11	25.40	29.98
12	M2546MH-12	27.94	32.52

				GENERAL TOLERANCE		东莞市翰皓精密电子有限公司				PART NO. M2546MH-XX					
				.X ±0.30		Dongguan HanHao Precision Electronics Co.,Ltd				TITLE 2.54 mm Crimp Style Connectors					
2010/06/22				A B		Modify frame format				Jova Jova Lau					
DATE				OLD REV		NEW REV		ECN		DESCRIPTION		CHECK		APPROVAL	
1				2		3		4		5		6		7	
PROJECT				APPROVAL		CHECK		DRAWN		DATA		UNIT		SCALE	
Smark				Yu wei		Liu Yan		2010/06/22		mm		1:		NUMBER	
														REV B	
1				2		3		4		5		6		7	

环保物料



Recommnd PCB Layout

■ SPECIFICATIONS

- Voltage rating: 250V AC, DC
- Current rating: 3A, AC, DC
- Withstanding Voltage: 1500V AC/minute
- Insulation resistance: 1000MΩ min
- Temperature range: -25°C~+85°C
- Contact resistance: Iitial value/20mΩ max
- After environmental testing/20mΩ max

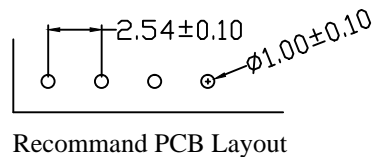
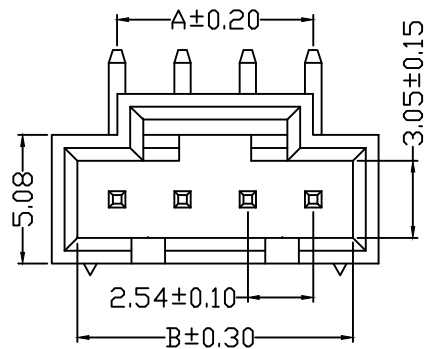
■ WAFER

- Part No.: M2546WR-XXP
- Poles: 2-24
- Material: PIN: Brass/Gold-flash
Wafer: Nylon 66, UL94V-0
- Mates with HHB M2546H series Housing
- Q`ty: 1000pcs/bag

Poles	PART NO.	Dimensions (mm)	
		A	B
2	m2546wr-02	2.54	7.62
3	m2546wr-03	5.08	10.16
4	m2546wr-04	7.62	12.70
5	m2546wr-05	10.16	15.24
6	m2546wr-06	12.70	17.78
7	m2546wr-07	15.24	20.32
8	m2546wr-08	17.78	22.86
9	m2546wr-09	20.32	25.40
10	m2546wr-10	22.86	27.94
11	m2546wr-11	25.40	30.48
12	m2546wr-12	27.94	33.02
13	m2546wr-13	30.48	35.56

Poles	PART NO.	Dimensions (mm)	
		A	B
14	m2546wr-14	33.02	38.10
15	m2546wr-15	35.56	40.64
16	m2546wr-16	38.10	43.18
17	m2546wr-17	40.64	45.72
18	m2546wr-18	43.18	48.26
19	m2546wr-19	45.72	50.80
20	m2546wr-20	48.26	53.34
21	m2546wr-21	50.80	55.88
22	m2546wr-22	53.34	58.42
23	m2546wr-23	55.88	60.96
24	m2546wr-24	58.42	63.50

				一般公差 GENERAL TOLERANCE		东莞市翰皓精密电子有限公司 Dongguan HanHao Precision Electronics Co.,Ltd				料号 PART NO M2546WR-XXP				
				. X ±0.3 . XX ±0.2 . XXX ±0.1		核准 APPD 审核 CHK 绘图 DR 日期 DATA				品名 TITLE 2.54 mm Crimp Style connectors				
2011/05/14	A	B	修改图框格式							单位 UNIT 比例 SCALE 图号 NUMBER 版次 REV				
日期 DATE	旧版次 OLD REV	新版次 NEW REV	变更内容 DESCRIPTION			审核 CHK	核准 APPD	角法 PROJECT		1	SUCCESS	2007/05/03		MM 1/1 A-093 B

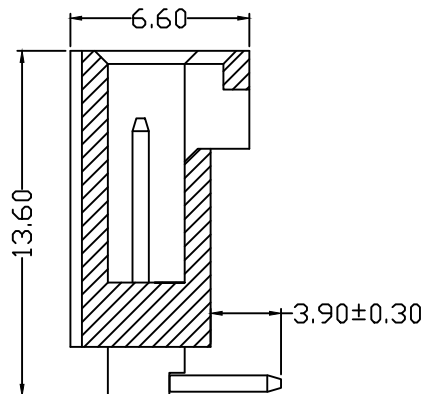
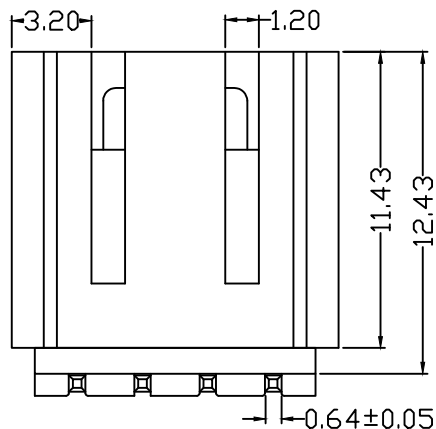


■ Specifications

- Voltage rating :250V AC/DC
- Current rating : 3A AC/DC
- Withstanding voltage : 1000V AC/minute.
- Insulation resistance : 1000MΩ Min.
- Temperature range : - 25°C to + 85°C
- Contact resistance : Initial value/10mΩ Max.
- After environmental testing/20mΩ Max.

■ Wafer

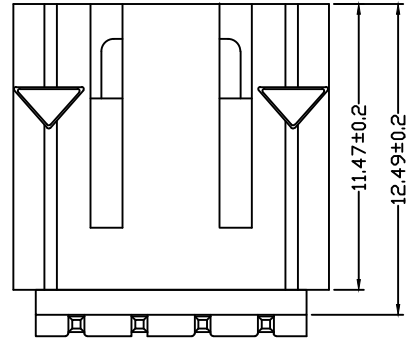
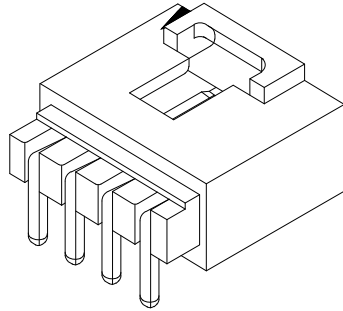
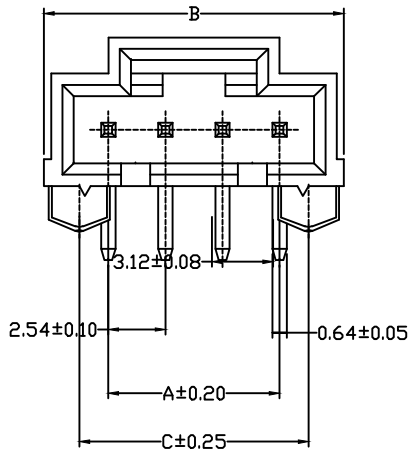
- Part No. : M2546WRB
- Material : Nylon 66 UL94V-0
- Q'ty : 1,000 Pcs/Bag



Poles	Part No	Dimensions (mm)	
		A	B
2	M2546WRB -02	2.54	5.59
3	M2546WRB -03	5.08	8.13
4	M2546WRB -04	7.62	10.67
5	M2546WRB -05	10.16	13.21
6	M2546WRB -06	12.70	15.75
7	M2546WRB -07	15.24	18.29
8	M2546WRB -08	17.78	20.83
9	M2546WRB -09	20.32	23.37
10	M2546WRB -10	22.86	25.91
11	M2546WRB -11	25.40	28.45
12	M2546WRB -12	27.94	30.99
13	M2546WRB -13	30.48	33.53
14	M2546WRB -14	33.02	36.07
15	M2546WRB -15	35.56	38.61

							GENERAL TOLERANCE .X ±0.30 .XX ±0.20 .XXX ±0.10				东莞市翰皓精密电子有限公司 Dongguan HanHao Precision Electronics Co.,Ltd				PART NO. M2546WRB-XX											
							APPROVAL Smark				CHECK Yu wei				DRAWN Liu Yan				DATA 2010/06/22							
							PROJECT 				UNIT mm				SCALE 1:				NUMBER 8				REV B			
2010/06/22	A	B		Modify frame format	Jova	Jova Lau																				
DATE	OLD REV	NEW REV	ECN	DESCRIPTION	CHECK	APPROVAL																				

环保物料

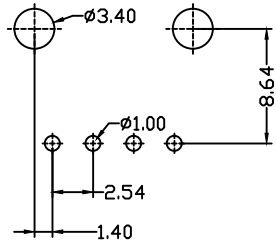


■ SPECIFICATIONS

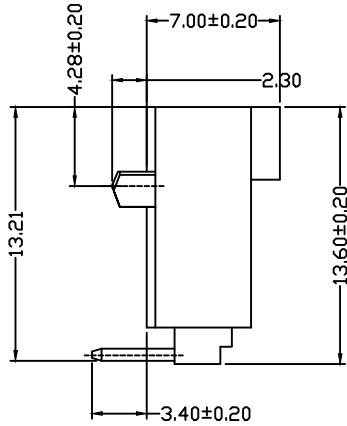
- Voltage rating: 250V AC, DC
- Current rating: 3A, AC, DC
- Withstanding Voltage: 1500V AC/minute
- Insulation resistance: 1000MΩ min
- Temperature range: -25°C~+85°C
- Contact resistance: Initial value/20mΩ max
- After environmental testing/20mΩ max

■ WAFER

- Part No.: M2546WRD-XXP
- Poles: 2-24
- Material: PIN: Brass/Gold-flash
Wafer: Nylon 66, UL94V-0
- Mates with HHB M2546H series Housing
- Q'ty: 1000pcs/bag



Recommnd PCB Layout



Poles	PART NO.	Dimensions (mm)			Poles	PART NO.	Dimensions (mm)		
		A	B	C			A	B	C
2	m2546wrđ-02	2.54	7.62	5.33	14	m2546wrđ-14	33.02	38.10	35.81
3	m2546wrđ-03	5.08	10.16	7.87	15	m2546wrđ-15	35.56	40.64	38.35
4	m2546wrđ-04	7.62	12.70	10.41	16	m2546wrđ-16	38.10	43.18	40.89
5	m2546wrđ-05	10.16	15.24	12.95	17	m2546wrđ-17	40.64	45.72	43.43
6	m2546wrđ-06	12.70	17.78	15.49	18	m2546wrđ-18	43.18	48.26	45.97
7	m2546wrđ-07	15.24	20.32	18.03	19	m2546wrđ-19	45.72	50.80	48.51
8	m2546wrđ-08	17.78	22.86	20.57	20	m2546wrđ-20	48.26	53.34	51.05
9	m2546wrđ-09	20.32	25.40	23.11	21	m2546wrđ-21	50.80	55.88	53.59
10	m2546wrđ-10	22.86	27.94	25.65	22	m2546wrđ-22	53.34	58.42	56.13
11	m2546wrđ-11	25.40	30.48	28.19	23	m2546wrđ-23	55.88	60.96	58.67
12	m2546wrđ-12	27.94	33.02	30.73	24	m2546wrđ-24	58.42	63.50	61.21
13	m2546wrđ-13	30.48	35.56	33.27					

				一般公差 GENERAL TOLERANCE .X ±0.3 .XX ±0.2 .XXX ±0.1				东莞市翰皓精密电子有限公司 Dongguan HanHao Precision Electronics Co.,Ltd				料号 PART NO M2546WRD-XXP																	
2011/05/14				A B				修改图框格式				品名 TITLE 2.54 mm Crimp Style connectors																	
日期 DATE				旧版次 OLD REV		新版次 NEW REV		变更内容 DESCRIPTION				审核 CHK		核准 APPD		角法 PROJECT		1 SUCCESS		2007/05/03		单位 UNIT MM		比例 SCALE 1/1		图号 NUMBER A-093		版次 REV B	