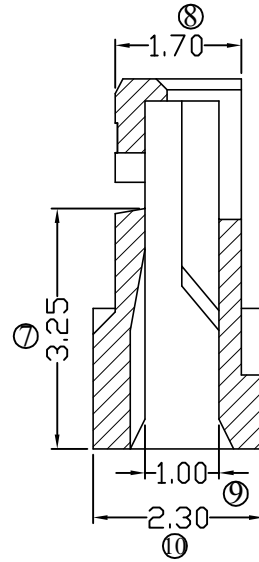
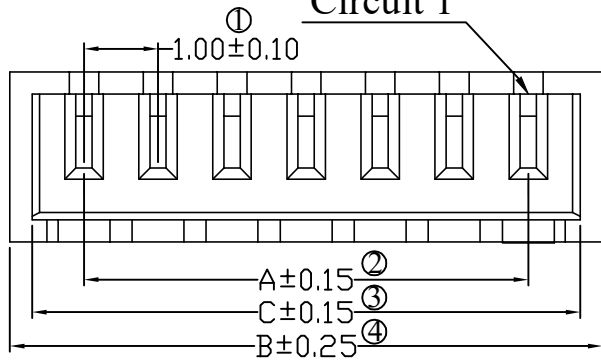


环保物料

Circuit 1

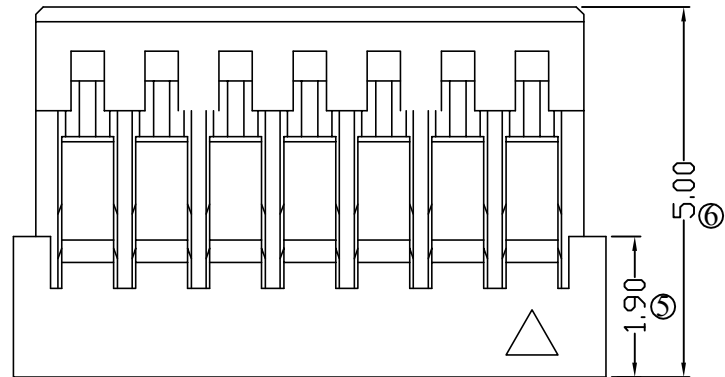


■ Specifications(规格) :

- Voltage rating(额定电压): 50V AC / DC
- Current rating(额定电流): 1A AC / DC
- Withstanding voltage(耐压值): 500V AC/minute
- Temperature range(工作温度): -25°C~+85°C
- Insulation resistance(绝缘电阻): $\geq 100M\Omega$
- Contact resistance(接触电阻): $\leq 20m\Omega$
- After environmental testing(环境测试后): $\leq 30m\Omega$

■ Housing(胶壳)

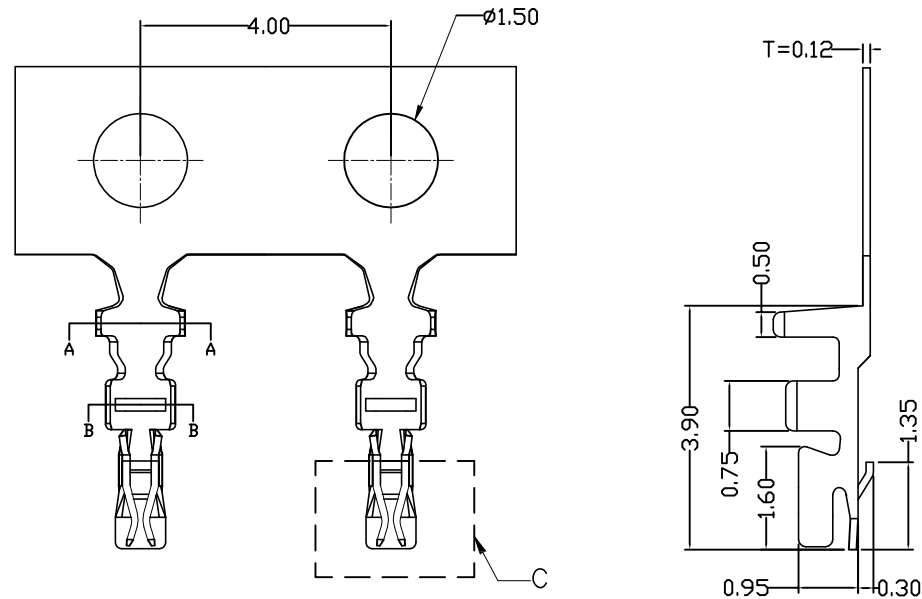
- Part No. (料号): N1000HA-XXP
- Poles (PIN数): 02-20
- Material (材质): PBT UL 94V-0
- Suitable HHB N1000T Series Terminal(匹配N1000T系列端子)
- Q'ty (数量): 1,000Pcs/Bag/每袋 (1,000Pcs)



Poles	Part No.	Dimensions (mm)			Poles	Part No.	Dimensions (mm)		
		A	B	C			A	B	C
2	N1000HA-02P	1.00	3.00	2.40	12	N1000HA-12P	11.00	13.00	12.40
3	N1000HA-03P	2.00	4.00	3.40	13	N1000HA-13P	12.00	14.00	13.40
4	N1000HA-04P	3.00	5.00	4.40	14	N1000HA-14P	13.00	15.00	14.40
5	N1000HA-05P	4.00	6.00	5.40	15	N1000HA-15P	14.00	16.00	15.40
6	N1000HA-06P	5.00	7.00	6.40	16	N1000HA-16P	15.00	17.00	16.40
7	N1000HA-07P	6.00	8.00	7.40	17	N1000HA-17P	16.00	18.00	17.40
8	N1000HA-08P	7.00	9.00	8.40	18	N1000HA-18P	17.00	19.00	18.40
9	N1000HA-09P	8.00	10.00	9.40	19	N1000HA-19P	18.00	20.00	19.40
10	N1000HA-10P	9.00	11.00	10.40	20	N1000HA-20P	19.00	21.00	20.40
11	N1000HA-11P	10.00	12.00	11.40					

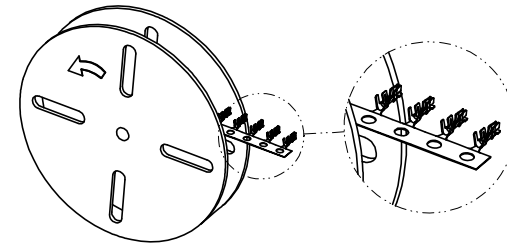
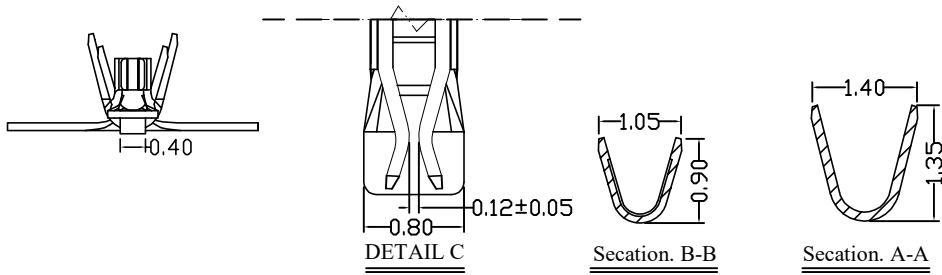
						一般公差 GENERAL TOLERANCE		东莞市翰皓精密电子有限公司 Dongguan HanHao Precision Electronics Co.,Ltd		料号 PART NO		N1000HA-XXP			
										品名 TITLE					
2011/05/14		A	B	修改图框格式				核准 APPD	审核 CHK	绘图 DR	日期 DATA		1.00 mm Crimp Style connectors		
日期 DATE	旧版次 OLD REV	新版次 NEW REV	变更内容 DESCRIPTION		审核 CHK	核准 APPD	角法 PROJECT	SUCCESS	刘艳	2007/05/03		单位 UNIT	比例 SCALE	图号 NUMBER	版次 REV
1			2		3	4		5	6	7	8	MM	1/1	A-106	B

环保物料



Terminal

- Part No: N1001TA
- Applicable wires: AWG #28-32
- Material: Phosphor Bronze
- Finish: Tin Plated
- Thickness: 0.65-0.92mm
- Pieceweight: 0.018 g/Pcs
- Q`ty: 20,000 Pcs/Reel

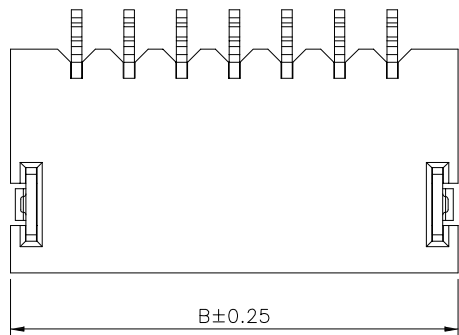


电镀后卷料方向

				一般公差 GENERAL TOLERANCE .X ±0.3 .XX ±0.2 .XXX ±0.1				东莞市翰皓精密电子有限公司 Dongguan HanHao Precision Electronics Co.,Ltd				料号 PART NO N1000T			
								核准 APPD 审核 CHK 绘图 DR 日期 DATA				品名 TITLE 1.00 mm Crimp Style connectors			
2011/05/14 A B 修改图框格式								SUCCESS 刘艳 2007/05/03				单位 UNIT 比例 SCALE 图号 NUMBER 版次 REV MM 1/1 A-106 B			
日期 DATE 旧版次 OLD REV 新版次 NEW REV 变更内容 DESCRIPTION 审核 CHK 核准 APPD				角法 PROJECT											

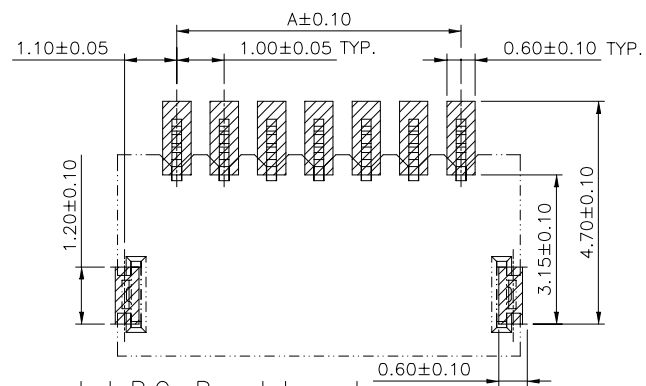
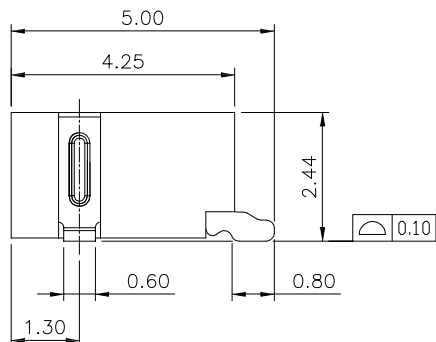
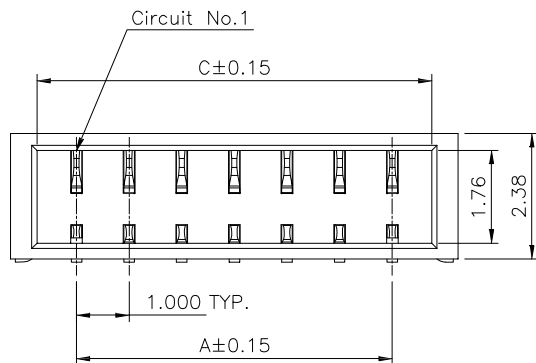
环保物料

Circuits	Dimensions (mm)			Circuits	Dimensions (mm)		
	A	B	C		A	B	C
02	1.0	3.5	2.5	12	11.0	13.5	12.5
03	2.0	4.5	3.5	13	12.0	14.5	13.5
04	3.0	5.5	4.5	14	13.0	15.5	14.5
05	4.0	6.5	5.5	15	14.0	16.5	15.5
06	5.0	7.5	6.5	16	15.0	17.5	16.5
07	6.0	8.5	7.5	17	16.0	18.5	17.5
08	7.0	9.5	8.5	18	17.0	19.5	18.5
09	8.0	10.5	9.5	19	18.0	20.5	19.5
10	9.0	11.5	10.5	20	19.0	21.5	20.5
11	10.0	12.5	11.5				



■ Specifications(规格) :

- Voltage rating(额定电压): 125V AC / DC
- Current rating(额定电流): 1A AC / DC
- Withstanding voltage(耐压值): 500V AC/minute
- Temperature range(工作温度): -25°C~+85°C
- Insulation resistance(绝缘电阻): ≥100MΩ
- Contact resistance(接触电阻): ≤20mΩ
- After environmental testing(环境测试后): ≤30mΩ



Recommended P.C. Board Layout

						一般公差 GENERAL TOLERANCE		东莞市翰皓精密电子有限公司 Dongguan HanHao Precision Electronics Co.,Ltd		料号 PART NO N1000WRA-XXP	
						.X ±0.3 .XX ±0.2 .XXX ±0.1		核准 APPD 审核 CHK 绘图 DR 日期 DATA		品名 TITLE 0.50 mm Crimp Style connectors	
2011/06/30	A	B	修改图框格式				角法 PROJECT	SUCCESS	孙开宝	刘艳	2007/05/03
日期 DATE	旧版次 OLD REV	新版次 NEW REV	变更内容 DESCRIPTION		审核 CHK	核准 APPD	角法 PROJECT	UNIT	SCALE	NUMBER	版次 REV
								MM	1/1	A-035	B